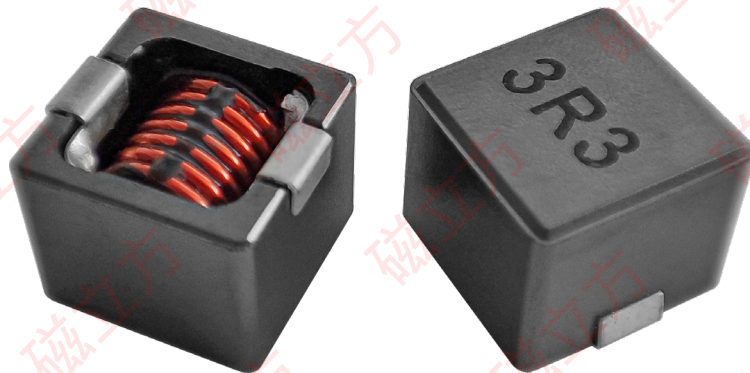


ACLS SERIES

Product description:

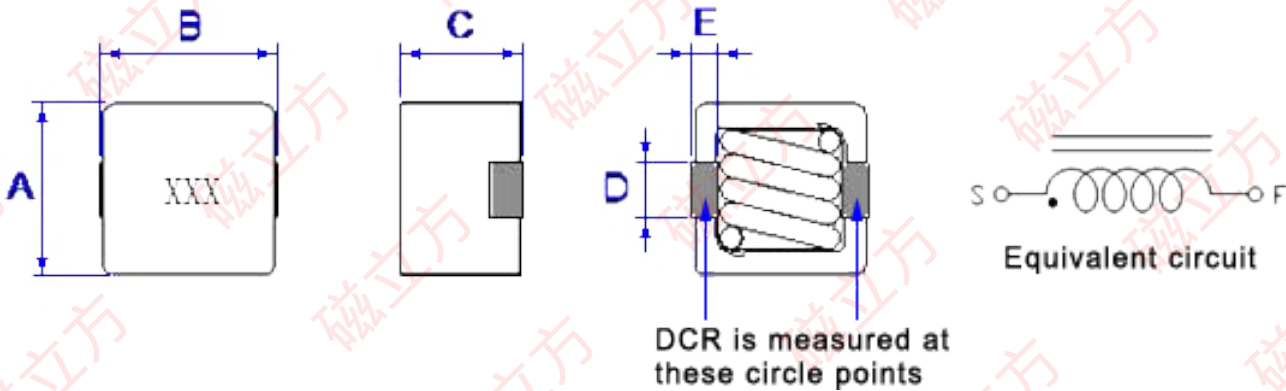
- High current and Low DCR.
- Low profile for machine placement.
- Minimize electromagnetic interference.
- Prevent EMI effect via precise impedance.
- Custom design available.



Explanation of part numbers:



Boundary dimension:



(unit: mm)

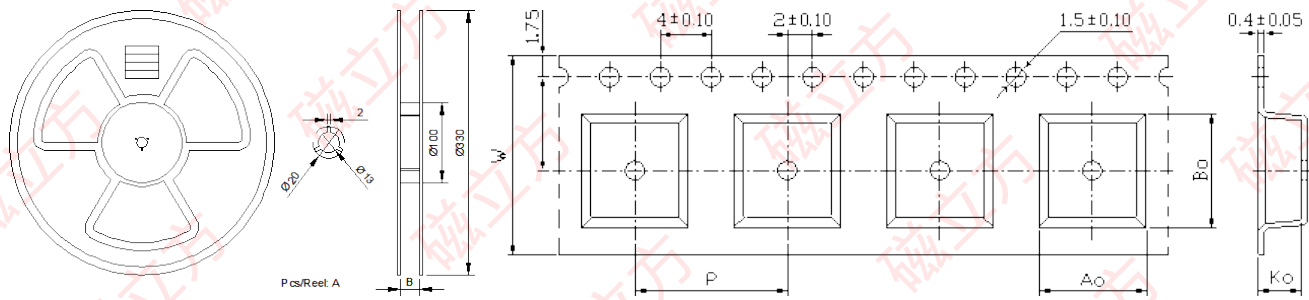
Series	Size	A	B	C	D	E	Packing (Pcs/Reel)
ACLS0807		7.9±0.4	8.4±0.4	7.2±0.4	2.3±0.2	1.5±0.2	500
ACLS1009		10.0±0.4	10.9±0.4	9.3±0.4	3.0±0.2	1.6±0.2	400
ACLS1210		11.4±0.4	12.1±0.4	9.5±0.5	3.5±0.2	2.0±0.2	300

Electrical characteristics:

Test condition: at 25 C 100KHz/0.1V

PART NO.	L(0A) ($\mu\text{H}\pm 20\%$)	I _{rms} (A) Typ.	I _{sat} (A) Typ.	DCR(m Ω)	
				Typ.	Max
ACLS0807MN-R30M	0.3	20.5	36	2.3	2.7
ACLS0807MN-R47M	0.47	19	32	2.65	3.1
ACLS0807MN-R56M	0.56	19	28	2.65	3.1
ACLS0807MN-R68M	0.68	19	23.5	2.65	3.1
ACLS0807MN-R82M	0.82	17	23	3.6	3.9
ACLS0807MN-1R0M	1	17	24	3.6	3.9
ACLS0807MN-1R5M	1.5	16.5	18.5	5.3	5.6
ACLS0807MN-2R2M	2.2	16.5	12.5	5.3	5.6
ACLS0807MN-3R3M	3.3	14	8.5	7.5	8.2
ACLS0807MN-4R7M	4.7	7.5	8	12.7	13.5
ACLS0807MN-6R8M	6.8	5.5	7.5	23.3	24
ACLS0807MN-100M	10	4.4	7	38.5	41
ACLS1009MN-R22M	0.22	21.5	60	1.4	1.6
ACLS1009MN-R33M	0.33	21.5	55	1.4	1.6
ACLS1009MN-R47M	0.47	20.5	47	1.6	1.85
ACLS1009MN-R68M	0.68	20	38	2.15	2.65
ACLS1009MN-R82M	0.82	20	36	2.15	2.65
ACLS1009MN-1R0M	1	20	27.5	2.15	2.65
ACLS1009MN-1R5M	1.5	18	27	3.35	4
ACLS1009MN-2R2M	2.2	16.5	22	4.6	4.8
ACLS1009MN-3R3M	3.3	14	15.5	6.5	7.15
ACLS1009MN-4R7M	4.7	13	15	9.4	9.9
ACLS1009MN-6R8M	6.8	11.5	11	14.15	15
ACLS1009MN-8R2M	8.2	11.5	8	14.15	15
ACLS1009MN-100M	10	9	8	22.75	23.1
ACLS1210MN-R22M	0.22	27	60	1.1	1.5
ACLS1210MN-R33M	0.33	27	55	1.1	1.5
ACLS1210MN-R47M	0.47	26	48	1.35	1.85
ACLS1210MN-R68M	0.68	26	38	1.35	1.85
ACLS1210MN-R82M	0.82	24	36	1.85	2.5
ACLS1210MN-1R0M	1	24	32	1.85	2.5
ACLS1210MN-1R5M	1.5	19.5	27	2.95	3.5
ACLS1210MN-2R2M	2.2	18	23	3.9	4.3
ACLS1210MN-3R3M	3.3	17	17	5.2	5.7
ACLS1210MN-4R7M	4.7	15.5	15.5	7.25	7.9
ACLS1210MN-6R8M	6.8	13	13	10.15	11
ACLS1210MN-8R2M	8.2	13	12	10.6	11.8
ACLS1210MN-100M	10	9	10	15.35	16.7

Packing Information:



Series	A(Pcs/Reel)	B	W	P	Ao	Bo	Ko
ACLS0807	500	24.5±0.5	24	16	8.0±0.1	9.0±0.1	7.0±0.15
ACLS1009	400	24.5±0.5	24	16	10.4±0.2	11.3±0.2	10.0TYP
ACLS1210	300	24.5±0.5	24	20	11.8±0.1	12.5±0.1	10.5TYP

Typical Pulling Force: 10-130 grams:

